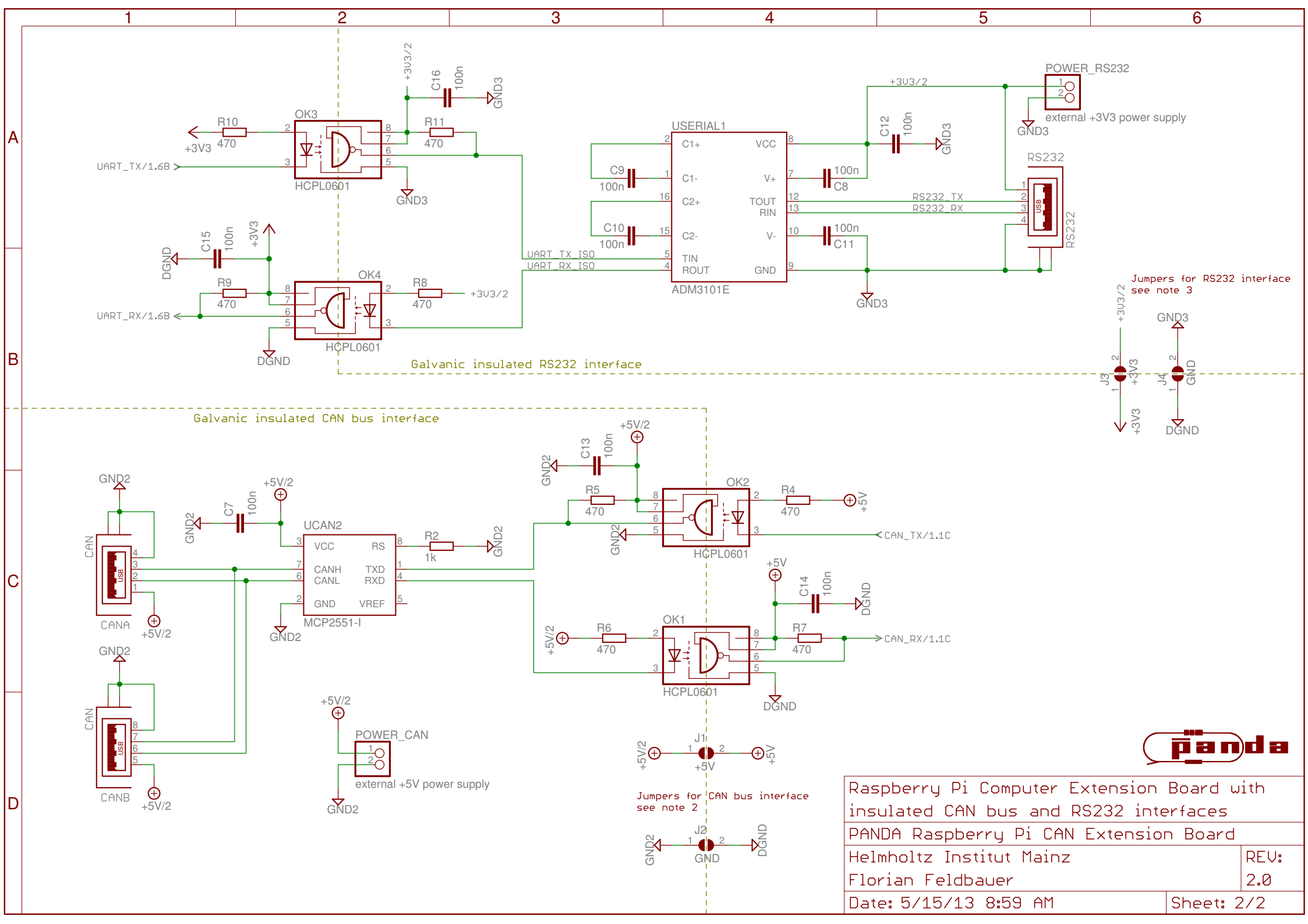


- Notes:
- 1) Use Samtec ESQ-113-33-L-D connector
  - 2) Solder Jumpers J1 and J2 if CAN bus interface should not be insulated
  - 3) Solder Jumpers J3 and J4 if RS232 interface should not be insulated



Raspberry Pi Computer Extension Board with insulated CAN bus and RS232 interfaces  
 PANDA Raspberry Pi CAN Extension Board  
 Helmholtz Institut Mainz  
 Florian Feldbauer  
 Date: 5/15/13 8:59 AM

REV: 2.0  
 Sheet: 1/2



Raspberry Pi Computer Extension Board with insulated CAN bus and RS232 interfaces  
 PANDA Raspberry Pi CAN Extension Board  
 Helmholtz Institut Mainz  
 Florian Feldbauer  
 Date: 5/15/13 8:59 AM

REV: 2.0  
 Sheet: 2/2